

**FSP127 Issue 1
Hand Held Signalling
Lantern - SOLAS**

APPLICATION

The FRANCIS FSP 127 (MKV) signalling lantern fulfils the requirements of the SOLAS (1997) Regulations, which states that “all ships of over 150 tons gross tonnage, when engaged on International voyages, shall have onboard an efficient daylight signalling lamp which shall not be solely dependant upon the ship’s main source of electrical power.”

The 127mm (5”) handheld signalling light can be used on all vessels, for ship to ship signalling using Morse Code.

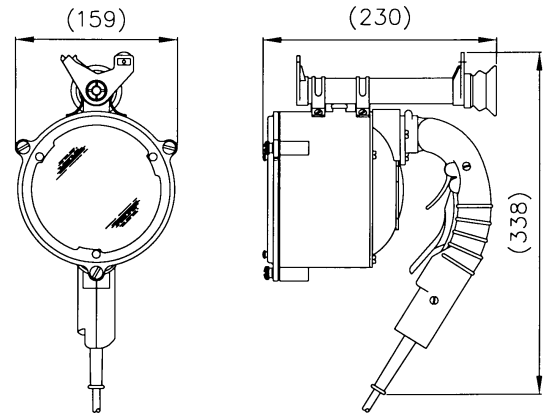
The light is of aluminium, lightweight construction and is fully waterproofed. If desired this unit can be used as a spotlight if the signalling trigger and lamp switch are both left on.

The Francis Signalling Lantern is approved by the UK Maritime & Coastguard Agency (MCA).

SPECIFICATION

- Capable of maximum daylight signalling range of 8 miles.
- Beam divergence of 5°.
- Transmission rate of 12 words per minute can be achieved.
- Light reduction & coloured filters provide control of light output as required.
- 5.5 metres of supply cable fitted as standard.
- All aluminium construction fitted with a super purity aluminium parabolic reflector.
- Tubular and V sights are fitted as standard.
- Handle mounted switch to operate the lantern.
- Signals made by triggering the tubular shutter which interrupts the light from the reflector.
- Semi gloss black stoved enamel paint finish.

Product	Type	Despatch No.
FSP127	Commercial	A4023
FSP127	MoD	A4021
Weight	2.2 Kg	



All Dimensions in Millimeters

Available accessories :-

Description	Despatch No.	Weight
11v 60w Lamp	D1721	
24v 60w Lamp	D1754	
Carrying Case (Wood)	C01424-01	3.5 Kg
Stowage Box (Aluminium)	A4025	7.5 Kg
12v Battery in case	C20175-01	5.8 Kg
24v Battery in case	C20177-01	5.8 Kg
110v-12v Battery Charger	C20169-01	1.3 Kg
110v-24v Battery Charger	C20170-01	1.3 Kg
240v-12v Battery Charger	C20171-01	1.3 Kg
240v-24v Battery Charger	C20172-01	1.3 Kg
Light Reduction Screen	C03194-01	
Red Filter	C05971-01	
Green Filter	C05973-01	
Blue Filter	C09901-01	
3 Pin Plug	C02682-01	
3 Pin Socket & Cap	C02681-01	
Transformer Unit		
115v/230v in 12v/24v out	C20189-01	

For more information contact:

