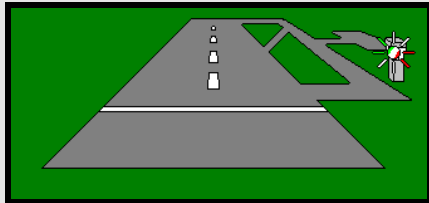


THORN

Airfield Lighting



Signalling Lamp

L-GUN

DOC 1606.E

Revision 1.0 01/01/03

Utilisation

- Signalling Lamp

Compliance with Standards

- ICAO : Annex14 Volume I
Paragraph 5.1.3

The L-GUN Signalling Lamp is compliant with recommendations give in paragraph 5.1.3 of Volume I of ICAO Annex 14.

General Description

The THORN L-GUN is designed be use as fixed as well as mobile signalling lamp in all air traffic control towers.

The signalling lamp is used to signal vehicles on the movement area and aircraft on the movement area or in flight. It is primarily used to establish contact from the tower when the radio contact fails.

The signals from the tower are usually not in form of Morse code although the light could be use in this way. The signals are in the form of steady or flashing light in one of three colours (White, Red or Green) that the L-GUN can produce. The meaning of these signals is dependent on whether the recipient of the signal is an aircraft or a vehicle.

The L-GUN is available in two versions :

- One Portable version including battery and battery charger
- One "Main Supply" version for supply it from a fix 12 V source. The accessories : 3 m Flexible "Curly" Supply Cable and 240/12 Vac100 VA Step-down Transformer are available to make the connection between the signalling lamp and its power source.

Technical Characteristics

Power supply : Either in 12 Vdc or 12 Vac 50/60 Hz.

Consumption : 100 W.

Lamp : 100 W dichroic reflector Lamp, life duration greater than 1,500 hours.

Colour : White or coloured beam. The colours (Green and Red) are obtain using coloured Filters.

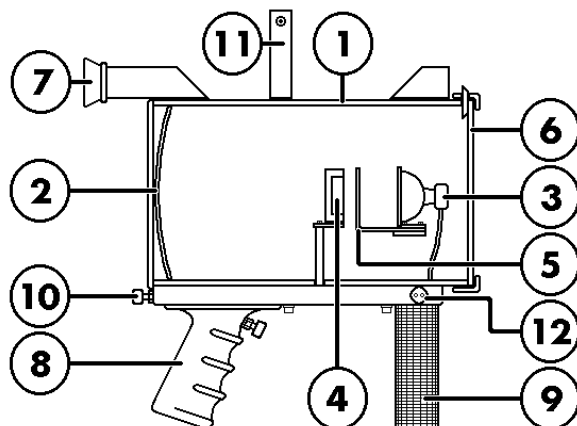
Light intensity : More than 6.000 cd for coloured lights.

Beam spread : Not less than 1° nor greater than 3°.

Finish : The body is in aluminium. All other external metal part s are stainless steel.

Design

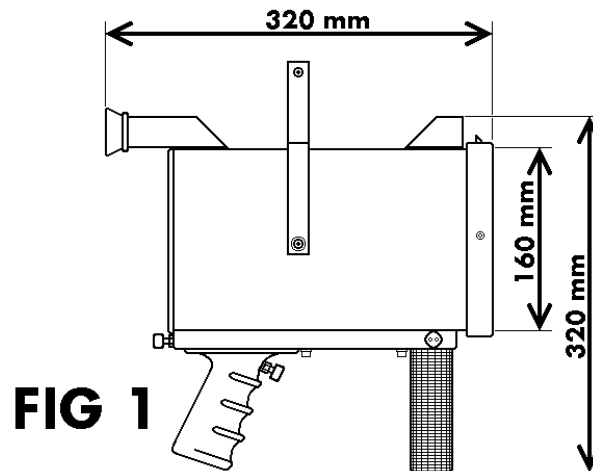
- | | |
|--|---|
| 1) Body | 7) Sighting device |
| 2) Machined Aluminium reflector | 8) Rear handle and light trigger special button |
| 3) Dichroic reflector lamp | 9) Front handle |
| 4) Filters support and filters (Red and Green) | 10) Colour selector push buttons |
| 5) Light control gate | 11) Hanger bracket |
| 6) Front glass with operator light feed back | 12) Power Supply connector |



Dimensions and Weight

The Fig 1 shows the dimensions of the L-GUN.

Weight = 1.8 kg



Main Advantages

- Easy handling thanks to its light weight and handles.
- Easy operation using its light trigger and colours selection push buttons.
- Power supply from 12 Vdc, 12 Vac or 240 Vac (using step down transformer).
- Available in "Portable" version.
- "Hanging" Bracket for easy storage when not in use.

Accessories

To power supply the L-GUN, two accessories are available :

- 1) A 3 m flexible "curly" cable for connection of 12 V supply on L-GUN power supply connector.
- 2) A step-down transformer (240/12 Vac) to supply the L-GUN from 240 Vac power source.

Ordering Code

L-GUN Signalling Lamp Portable/Battery Power
L-GUN Signalling Lamp Mains Power

L-GUN_PORTABLE
L-GUN

Accessories for Main Power L-GUN

3 m Flexible "Curly" Supply Cable
 240/12 Vac 100 VA Step-down Transformer

L-GUN/3M/SUPPLY_CABLE
L-GUN/SD_TRANSFO

Cardboard packing data

Designation	Volume in m ³	Dimensions in mm	Weight in kg
L-GUN signalling lamp portable battery power			
L-GUN signalling lamp main power			
240/12 Vac step-down transformer			
3 m Flexible Supply Cable			

Specification

The signalling lamp L-GUN shall comply with the requirements of ICAO Annex 14 Volume I Paragraph 5.1.3,.

It shall be supplied either in 12 Vdc or 12 Vac 50/60 Hz (from 240 Vac through a step-down transformer).

Its power consumption shall be 100 W.

It shall be equipped with one dichroic reflector lamp of 100 W. The life duration of the lamp shall be greater than 1,500 hours.

Its light beam shall be controlled On and Off using a special trigger button (Morse code emission is possible).

Its normally white light beam of the L-GUN shall be able to be coloured (in Red or Green) using internal filter and special control push buttons.

Its body shall be in Aluminium and all other metal external part shall be stainless steel.

It shall be available in "Portable" version.

All descriptions and photometric characteristics in this publication present only general particulars and shall not form of any contract. The right is reserve to change then without prior notification.

Thorn Europhane
 156 bd Haussmann
 75379 Paris
 Cedex 08
 FRANCE
 Tel : +33 (0) 1 49 53 62 62
 Fax : +33 (0) 1 49 53 62 89
thornairfield@thorn.fr

Thorn DNT Airfield Lighting
 7-9 Newcastle Road
 Bayswater Victoria 3153
 AUSTRALIA
 Tel : +61 (0) 3 97 20 32 33
 Fax : +61 (0) 3 97 20 82 33
enquiries@thornairfield.com

Thorn Lighting
 3 King George Close
 Eastern Avenue West
 Romford, Essex RM7 7PP
 UNITED KINGDOM
 Tel : +44 (0) 1708 776 289
 Fax : +44 (0) 1708 742 322
airfield@thornlight.com

Thorn CLK Airfield lighting
 19/F Jardine Engineering House
 260 King's Road
 North point - HONG KONG
 Tel : +852 (0) 2988 4128
 Fax : +852 (0) 2988 4139
adminhk@thornclkaf.com.hk